

JABATAN PELAJARAN MELAKA
MARKING SCHEME MATHEMATICS FORM 3

PAPER 2

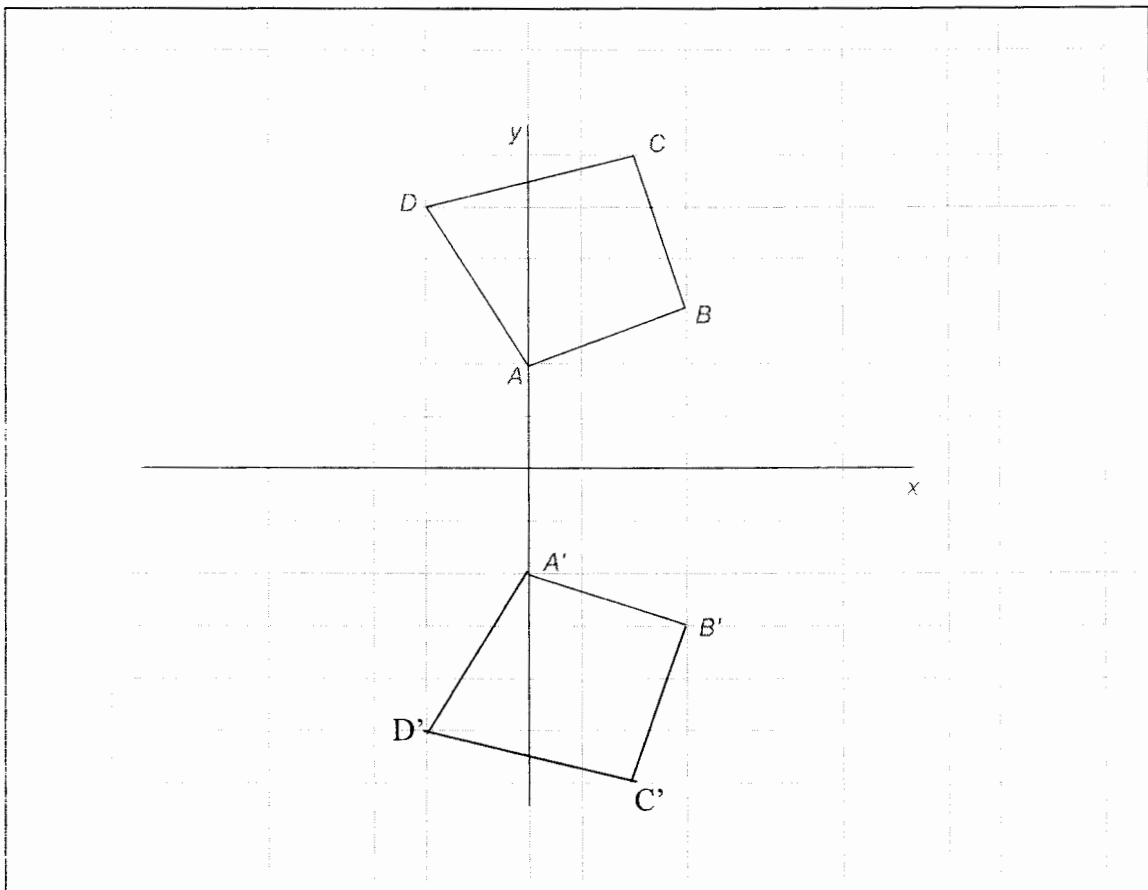
QUESTION	MARKING SCHEME	MARKS	
1	$-25 + 8$ -17	K1 N1	2
2	0.36 or $\frac{1.44}{4}$ $\frac{2}{100}$ or $\frac{9}{20}$ $\frac{2}{45}$	K1 N1	2
3. a).	1.44	N1	3
b).	$(3 - 8)^2$ or $(-3)^2$ 25	K1 N1	
4. a).	$x = -20$	N1	3
b).	$5m-9=2(3m-2)$ or $5m-9=6m-4$ -5	K1 N1	
5	Diagram drawn correctly (Refer Worksheet / Lampiran) Note : 1. Accept axis drawn at least 2 correct diagonals a) 2 lines are drawn correctly. Give P1 if only 3 dots shown or diagonal of one. b) Sketch lines award P1	P2	2
6	$Q' (4,0)$ Note : Give P1 if only marked point Q'	P2	2

7 a).	$-12p-13pq$	N1	
b).	$4r^2+8r-2r+4$ $4r^2+6r+4$	K1 N1	3
8 a).	$3(y+5)$	N1	
b).	$2x(1-4x^2)$ $2x(1-2x)(1+2x)$	K1 N1	3
9	$\frac{12-(2-6n)}{18mn}$ or $\frac{36mn-3m(2-6n)}{54m^2n}$ $\frac{18n-2}{18mn}$ or $\frac{54mn-6m}{54m^2n}$ $\frac{9n-1}{9mn}$	K1 K1 N1	3
10 a).	$x < 2$	N1	
b).	$-3x \geq -30$ or $30 \leq 3x$ or $\frac{-3x}{2} \geq -15$ $x \leq 10$	K1 N1	3
11	$3m=6n-5$ $m=\frac{6n-5}{3}$	K1 N1	2
12 a).	K^7	N1	
b).	$(x^{-3} x 2^3)^{\frac{1}{3}}$ $2x^{-1}$	K1 N1	3

20	$LK = 10 \text{ cm}$ $JK = 1 \text{ cm}$ $\sin \angle JLK = \frac{1}{10}$	N1 N1 N1	3
----	---------------------------------------------------------------------------------	----------------	---

LAMPIRAN

Soalan No 5



Soalan no 13

a)

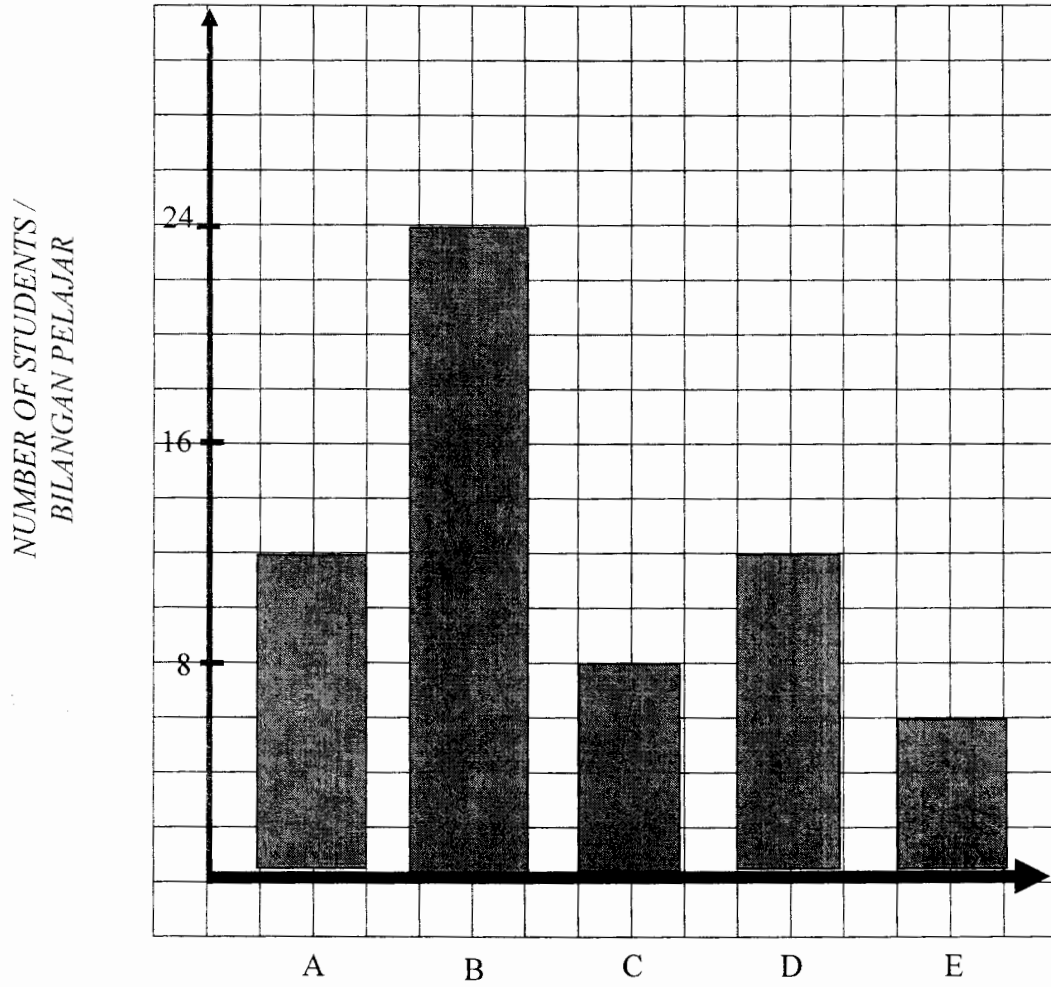
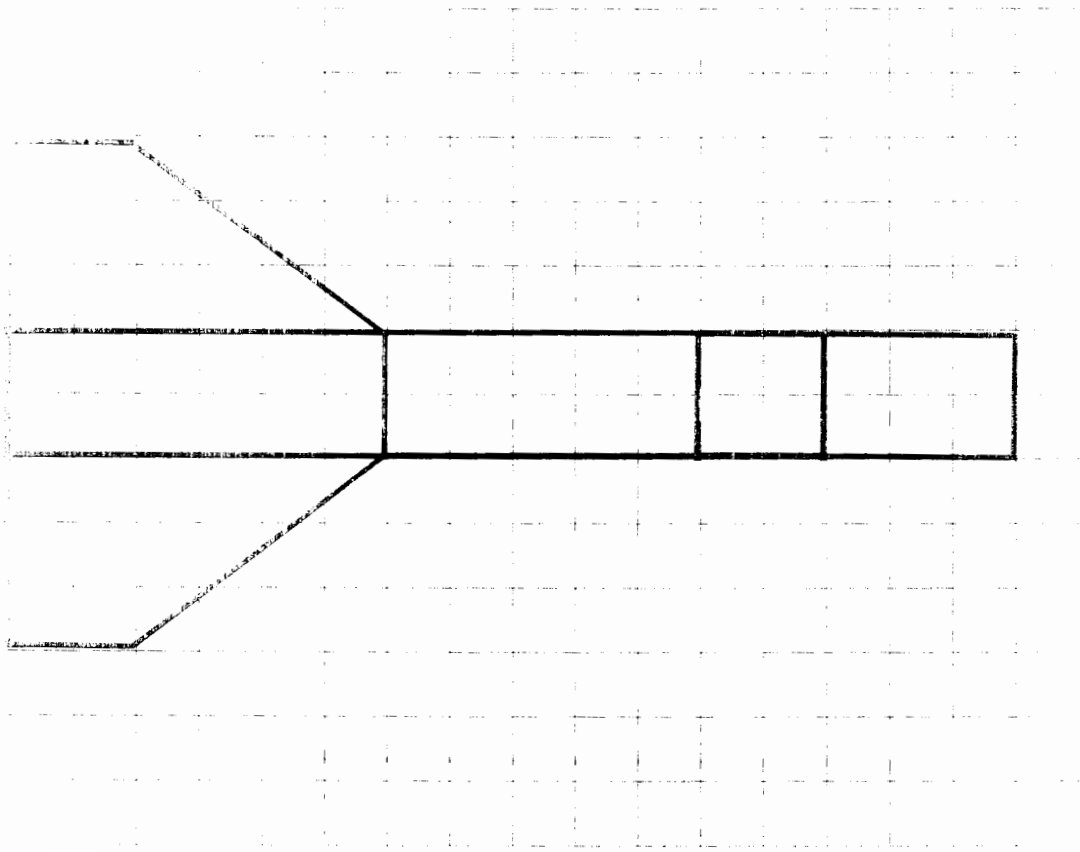


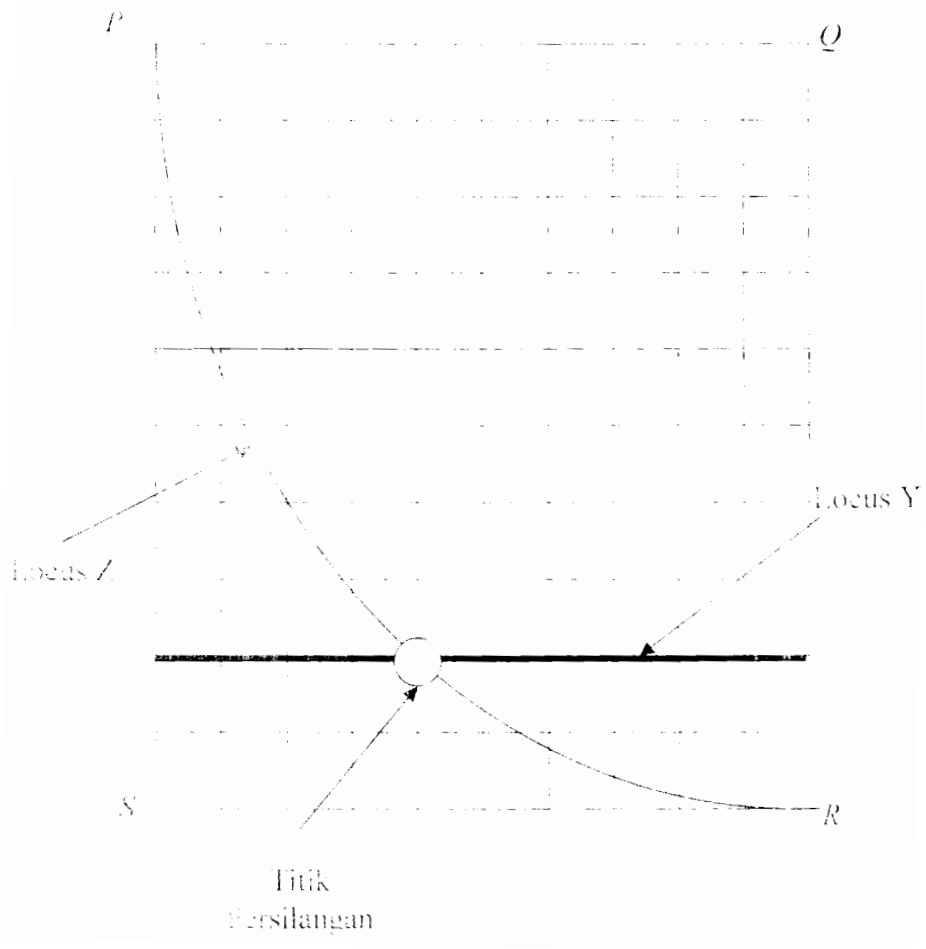
Diagram 3
Rajah 3

GRADE / GRED

Soalan no 14



Soalan no 15



Soalan no. 19

